

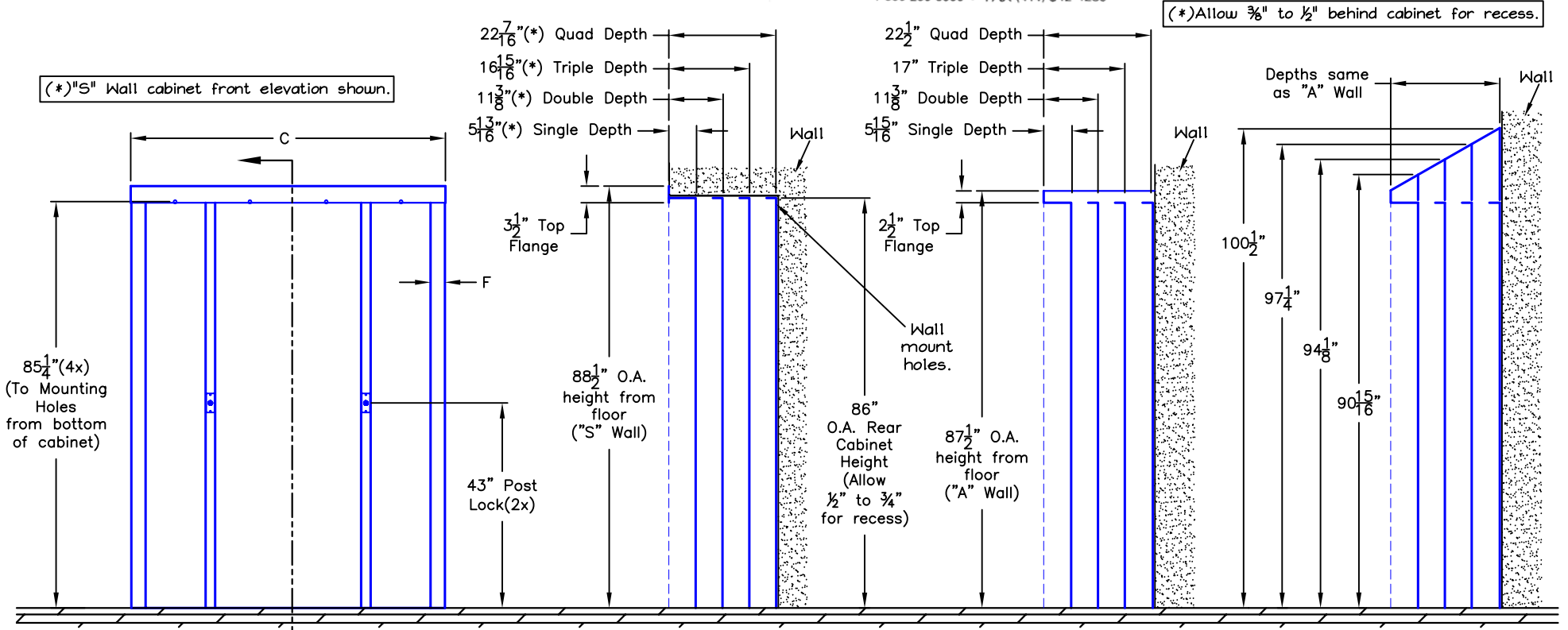
*SCALE: 3/8" = 1'



MITCHELL FURNITURE SYSTEMS, INC.

P.O. BOX 1156 • 1700 W. ST. PAUL AVE. • MILWAUKEE, WI 53201 • (414) 342-3111
1-800-290-5960 • FAX (414) 342-4239

REVISED 05.20.08



**SECTION:
(Set-In Wall)**

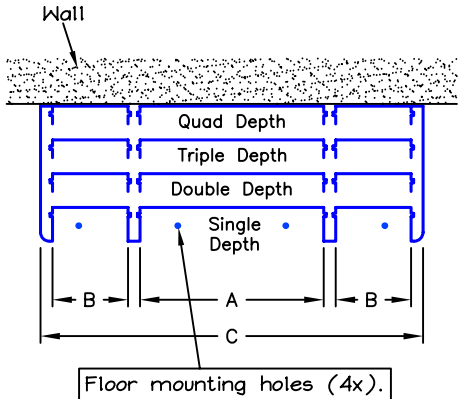
**SECTION:
(Against Wall)**

**SECTION:
(SLOPING Against Wall)**

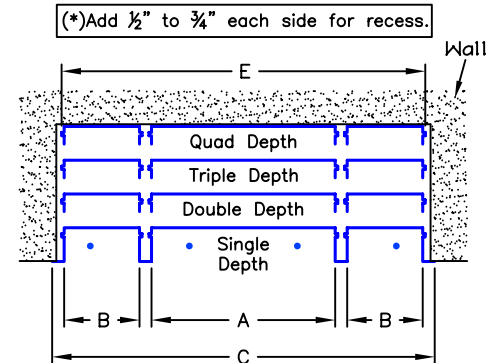
**Mitchell 08-Series 14' Wall Mounted Units*
Cabinet Dimensions For Benches & Tables**

Models			A	B	C		E	F	
08-14-S	08-14-A	08-14-A-SLP			TABLE POCKET	BENCH POCKET		OVERALL WIDTH	
08-214-S	08-214-A	08-214-A-SLP	28"	10"			"A" Wall	"S" Wall	59 3/8"
08-314-S	08-314-A	08-314-A-SLP			57 3/4"	59 3/4"			
08-414-S	08-414-A	08-414-A-SLP			61 3/4"	63 3/4"			
					63 3/4"	65 3/4"			

(* 14' Nominal Dimension)



**PLAN VIEW
(Against Wall)**



**PLAN VIEW
(Set-In Wall)**

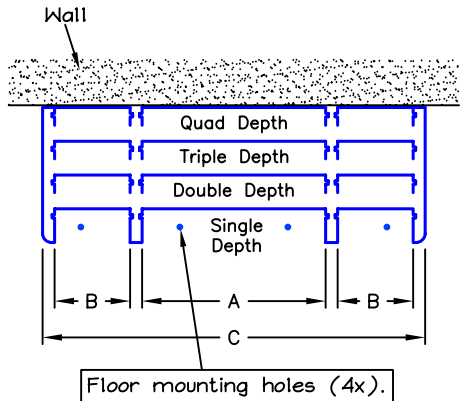
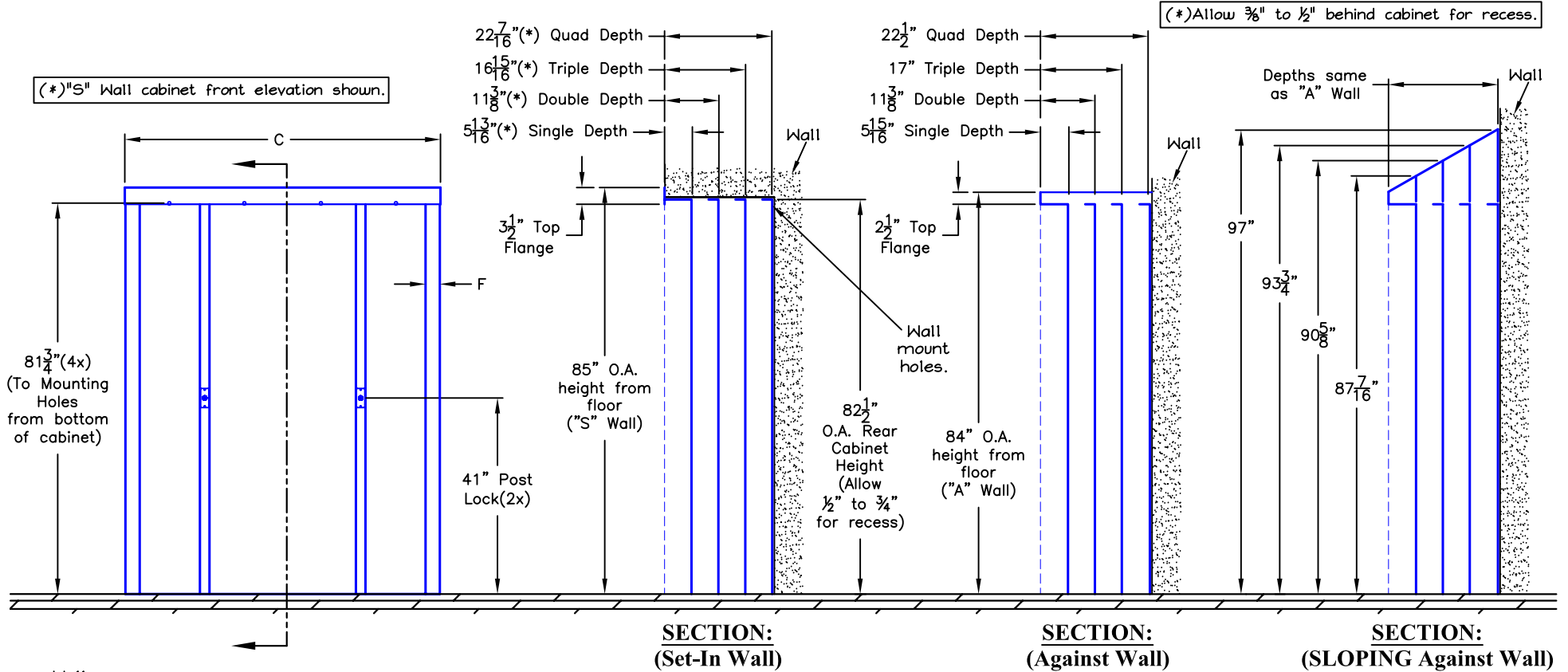
*SCALE: 3/8" = 1'



MITCHELL FURNITURE SYSTEMS, INC.

P.O. BOX 1156 • 1700 W. ST. PAUL AVE. • MILWAUKEE, WI 53201 • (414) 342-3111
1-800-290-5960 • FAX (414) 342-4239

REVISED 05.20.08

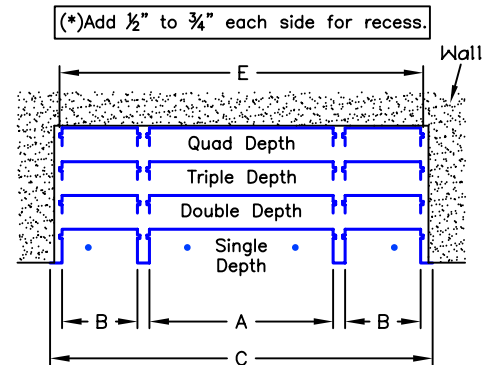


PLAN VIEW (Against Wall)

**Mitchell 08-Series 13'-3" Retro-Sized Wall Mounted Units*
Cabinet Dimensions For Benches & Tables**

Models			A	B	C		E	F	
08-13-S	08-13-A	08-13-A-SLP			TABLE POCKET	BENCH POCKET		"A" Wall	"S" Wall
08-213-S	08-213-A	08-213-A-SLP	28"	10"	OVERALL WIDTH		55 3/8"	END POST WIDTH	
08-313-S	08-313-A	08-313-A-SLP			"A" Wall	"S" Wall		2"	3"
08-413-S	08-413-A	08-413-A-SLP			61 3/4"	63 3/4"			
					63 3/4"	65 3/4"			
	2810				57 3/4"	59 3/4"			
	2812				61 3/4"	63 3/4"			
	3012				63 3/4"	65 3/4"			

(*) 13'-3" Nominal Dimension



PLAN VIEW (Set-In Wall)

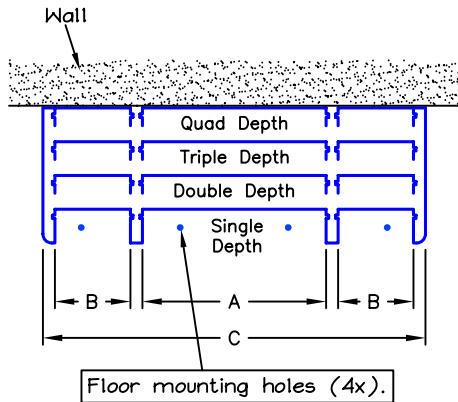
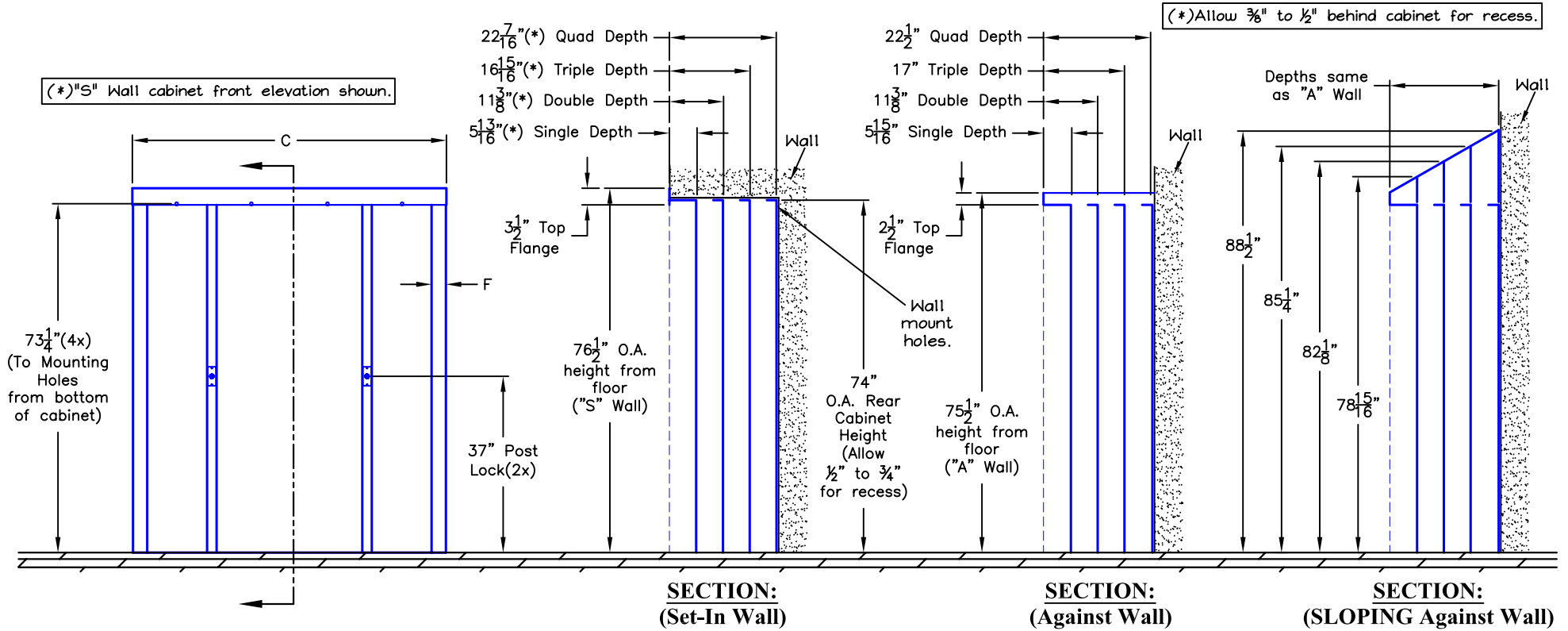
*SCALE: 3/8" = 1'



MITCHELL FURNITURE SYSTEMS, INC.

P.O. BOX 1156 • 1700 W. ST. PAUL AVE. • MILWAUKEE, WI 53201 • (414) 342-3111
1-800-290-5960 • FAX (414) 342-4239

REVISED 05.20.08

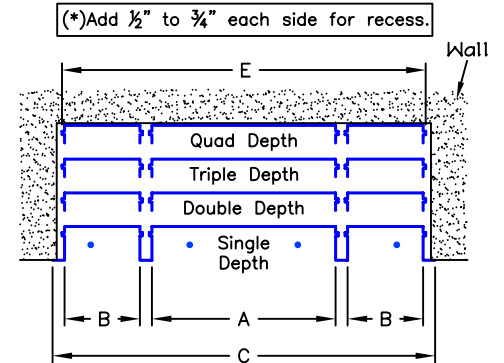


PLAN VIEW (Against Wall)

**Mitchell 08-Series 12' Wall Mounted Units*
Cabinet Dimensions For Benches & Tables**

Models			A	B	C		E	F	
08-12-S	08-12-A	08-12-A-SLP			TABLE POCKET	BENCH POCKET		"A" Wall	"S" Wall
08-212-S	08-212-A	08-212-A-SLP	28"	10"	OVERALL WIDTH		55 3/8"	2" 3"	
08-312-S	08-312-A	08-312-A-SLP			57 3/4"	59 3/4"			
08-412-S	08-412-A	08-412-A-SLP			61 3/4"	63 3/4"			
			30"	12"	63 3/4"	65 3/4"	61 1/8"	2" 3"	

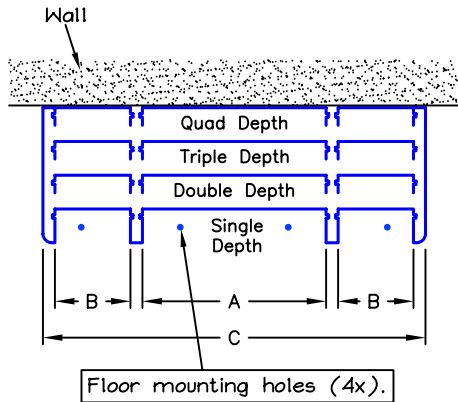
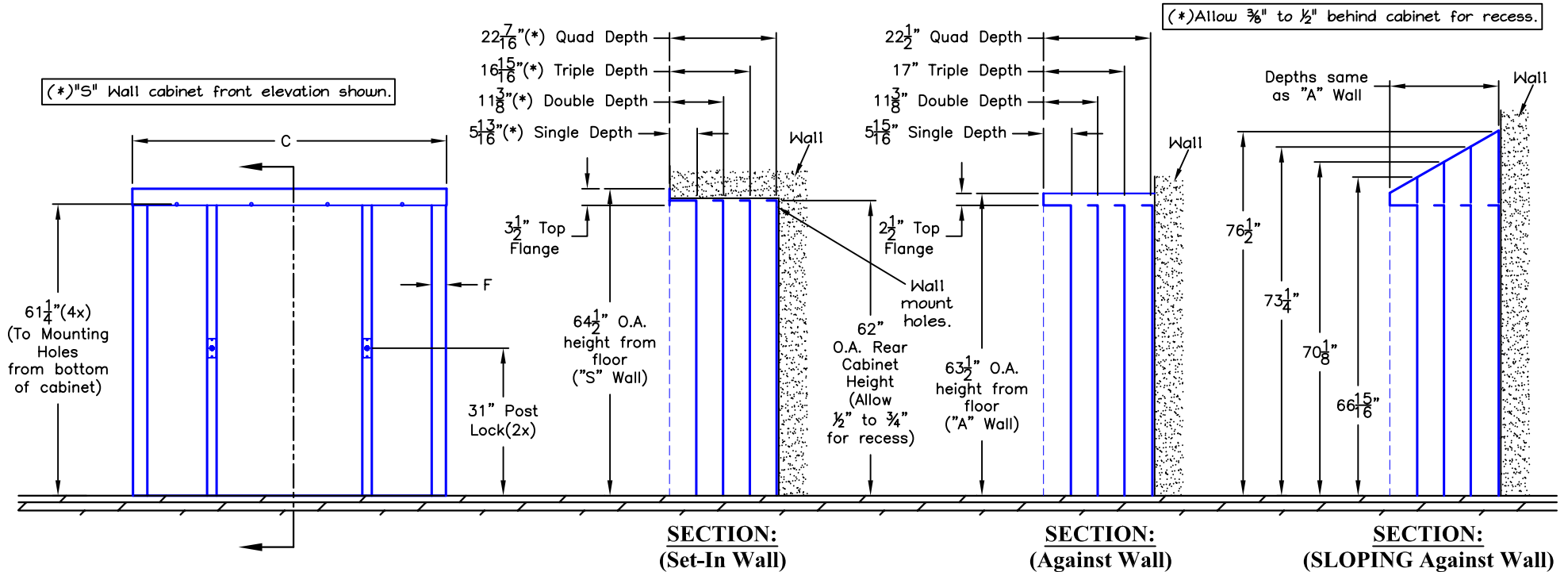
(*) 12' Nominal Dimension



PLAN VIEW (Set-In Wall)

*SCALE: 3/8" = 1'

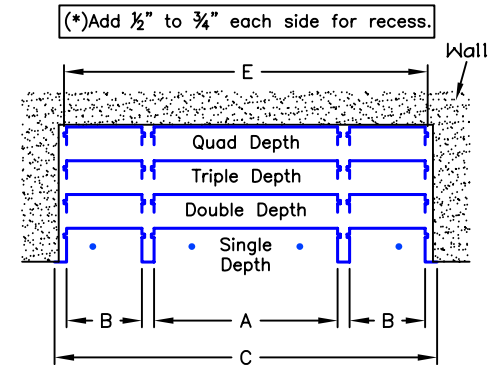
REVISED 05.20.08



PLAN VIEW
(Against Wall)

Models			A	B	C		E	F	
08-10-S	08-10-A	08-10-A-SLP			TABLE POCKET	BENCH POCKET		OVERALL WIDTH	
08-210-S	08-210-A	08-210-A-SLP	28"	10"			"A" Wall	"S" Wall	2"
08-310-S	08-310-A	08-310-A-SLP					57 3/4"	59 3/4"	
08-410-S	08-410-A	08-410-A-SLP			61 3/4"	63 3/4"	59 3/8"		
					63 3/4"	65 3/4"	61 3/8"		

(*) 10' Nominal Dimension



PLAN VIEW
(Set-In Wall)